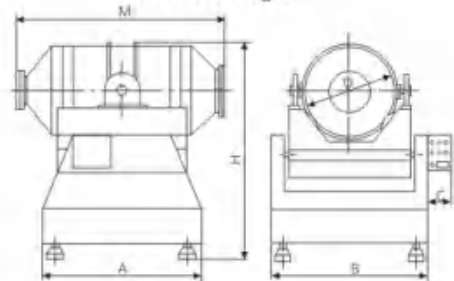


## EYH Series Two Dimensional Mixer EYH 系列双臂传动二维运动混合机



外形示意图  
Structure Diagram



### 技术参数 Technical parameters

型号	料筒容积 (L)	装料容积	最大装料量	转动次数	电机总功率	外形尺寸	总重量	料筒重量
EYH-600	600	360	150	605/12.1	1.1/1.5	1200*2200*2050*1900	1150	140
EYH-800	800	480	200	6.18/11.6	1.5/1.5	1400*2700*2230*1930	1600	200
EYH-1000A	1000	600	250	5.28/10.87	1.5/1.5	1450*2850*2300*2000	1700	240
EYH-1500A	1500	900	375	4.13/8.45	2.2/3	1720*3170*2450*2100	2000	320
EYH-2000A	2000	1200	500	4.1/7.6	3/4	1820*3600*2650*2300	2600	430
EYH-3000A	3000	1800	750	3.68/6.83	4/5.5	2070*3700*3150*2800	3500	620
EYH-4000A	4000	2400	1000	3.46/6.8	5.5/7.5	2200*3900*3250*2900	4100	700
EYH-6000A	6000	3600	1500	3.31/6.74	7.5/11	2500*4500*3350*3000	6100	1100
EYH-8000A	8000	4800	2000	3.2/6.4	11/11	2700*4800*3650*3200	7900	1450
EYH-10000A	10000	6000	2500	3.15/6.2	11/15	2900*5050*3750*3300	9500	1650
EYH-12000A	12000	7200	3000	3.1/5.9	15/18.5	3150*5600*4350*3850	10000	1800
EYH-15000A	15000	9000	3750	2.9/5.3	18.5/22	3350*5800*4350*3850	11000	2000
EYH-20000A	20000	12000	5000	2.8/4.5	22/30	3600*6100*4850*4450	12000	2500

物料堆积比重按0.6g/cm<sup>3</sup>计算, 如超出, 订货时请标明  
The bulk density of material is made based on 0.6g/cm<sup>3</sup>. Please point out if it's over.

### 原理 Principle

EYH系列二维运动混合机主要由转筒、摆动架、机架三大部分构成。转筒装在摆动架上, 由四个滚轮支撑并由两个挡轮对其进行轴向定位。在四个支撑滚轮中, 其中两个传动轮由转动动力系统推动使转筒产生转动; 摆动架由一组曲柄摆杆机构来驱动, 曲柄摆杆机构装在机架上, 摆动架由轴承组件支撑在机架上。

### Principle

EYH Series Two Dimensions mixer mainly consists of three big parts: rotating cylinder, swinging rack and frame. The rotating cylinder lies on the swinging rack, supported by four wheels and its axial fixation is done by two stop wheels. Two of four wheels are driven by rotating system to make the cylinder rotate. The swinging rack is driven by a set of crankshaft swinging bar which is mounted on the frame and the swinging rack is supported on the frame.

### 特点

EYH型二维运动混合机的转筒可同时进行二个运动, 一个为转筒的自转, 另一个为转筒随摆动架的摆动。被混和物料在转筒内随转筒转动、翻转、混和的同时, 又随转筒的摆动而发生左右来回的掺混运动, 在这两个运动的共同作用下, 物料在短时间内得到充分的混和。混合筒的出料带有螺旋叶片, 使混合机具有混合迅速、混合量大、出产便捷等特点。EYH二维混合机适合所有粉、粒状物料的混合。本设备经过我公司技术改进使用双臂传动摇摆床, 比一般单臂传动稳重, 间接传动减轻减速机负荷, 延长使用寿命。机架采用全封闭结构便于清洗符合GMP标准。

### Features

The rotating cylinder of EYH Two Dimensionals Mixer can achieve two motions at the same time. One is the rotation of the cylinder and the other is swinging of the cylinder along the swinging rack. Materials to be mixed will be rotated when the cylinder is rotating, and will be mixed from left to right and vice versa when the cylinder is swinging. As the result of these two motions, materials can be mixed fully in a short time. EYH Two Dimensions Mixer is suitable for mixing of all powder and granule materials.

## SYH Series Three Dimensional Mixer SYH 系列三维运动混合机

### 应用 Application

SYH系列三维运动混合机广泛应用于制药、化工、食品、冶金、轻工及科研单位, 能非常均匀地混合流动性较好的粉状或颗粒状的物料, 使混合后的物料能达到最佳混合状态。

This machine is suitable for many industries such as pharmaceutical industry, chemical industry, metallurgy industry, foodstuff industry, architecture industry and institutes. It can mix powder and granule raw materials having good fluidity and make the mixed raw materials reach the best mixing state.

### 特点 Features

由于混合桶体具有多方向的运动, 使桶体内的物料交叉混合点多, 混合效果好, 均匀度可达99.9%以上, 最大装载系数可达0.9 (普通混合机为0.4~0.6), 混合时间短, 效率高。

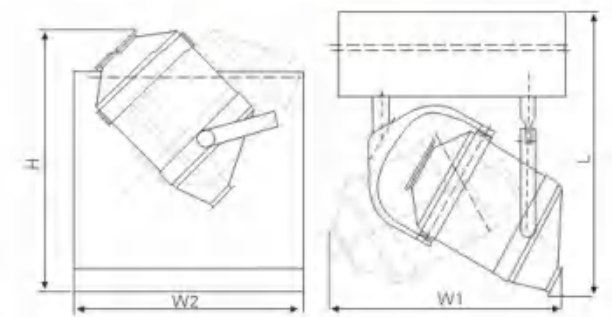
该机混合桶体设计独特, 桶体内壁经过精细抛光, 无死角, 不污染物料, 出料方便, 清洗容易操作简单等优点。

Because the mixing drum has multi directional motion, it makes raw material inside the drum has many cross-mixing points, therefore the mixing effect is good. Its degree of uniformity may be over 99.9%. Its Max loading efficiency may be 0.9 (The loading efficiency of ordinary mixer is 0.4-0.6). Its mixing time is short and its efficiency is high. The design of mixing drum is unique. Its inner wall is polished finely. Its advantages are no dead corner, no pollution to raw material, convenient in discharge, easy in clean and so on.

### 工作原理 Principle of work

该机在运行中, 由于混合桶体具有多方向运动, 使各种物料在混合过程中加速了流动和扩散作用, 同时避免了一般混合机因离心力作用所产生的物料比重偏析和积聚现象, 混合无死角, 能有效确保混合物料的最佳品质。

结构: 该机由机座、传动系统、电器控制系统、多向运动机构、混合筒等部件组成。与物料直接接触的混合筒采用优质不锈钢材料制造, 桶体内、外壁均经镜面抛光。



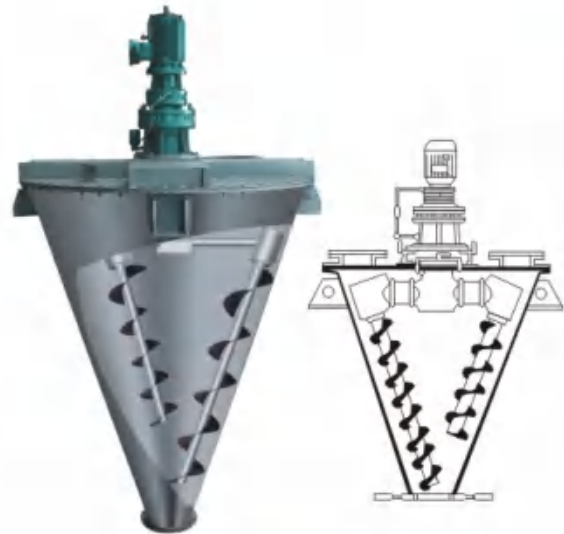
During the period of operation, because the mixing drum has multi-directional actions of motion, it speeds up the fluid and diffused effect of raw material. Meanwhile it avoids the phenomenon of segregation and accumulation caused by centrifugal effect in ordinary mixer and no dead corner. It can guarantee the best quality of mixed raw material.

Structure: this machine consists of stand, transmission system, electric control system, multi-directional motion mechanism, mixing drum and so on. The mixing drum contacted with raw material is made of stainless steel. The inner and outer wall of drum is polished.

### 技术参数 Technical parameters

型号 type	SYH-15	SYH-50	SYH-100	SYH-200	SYH-400	SYH-600	SYH-800	SYH-1000	SYH-1200	SYH-1500
混合桶容积 Material barrel volume (L)	15	50	100	200	400	600	800	1000	1200	1500
最大装载容积 Max loading volume (L)	12	40	80	160	320	480	640	800	960	1200
最大装载重量 Max loading weight (kg)	6	20	40	80	160	240	320	400	480	600
主轴转速 Spindle rotation speed (r/min)	0-28				0-8					
电机功率 Motor power (kw)	0.37	1.1	1.5	2.2	4	5.5	7.5	7.5	11	11
外型尺寸 Overall dimensions (mm)	L	750	1400	1700	1800	2100	2400	2600	2650	3100
	W	1000	1000	1200	1400	1800	2200	2380	2500	2850
	H	700	1200	1500	1600	1950	2350	2500	2600	2750
	W2	650	850	1250	1350	1650	1750	2000	2100	2200
重量 Weight (kg)	200	300	500	800	1200	1500	2000	2500	3000	3500

## DSH Series Double-screw Conical Mixer DSH 系列双螺旋锥形混合机



### 概述 Description

由螺旋的公、自转使物料在锥体内产生复合运动, 主要产生四种运动形式:

1. 螺旋沿壁公转, 使物料沿锥壁作圆周运动;
2. 螺旋自转使物料自锥底沿螺旋上升;
3. 螺旋的公、自转复合运动使一部分物料被吸收到螺旋圆柱面内同时受螺旋自转的离心力作用使螺旋圆柱面内的一部分物料向锥体径向排放;
4. 上升的物料受自身重力作用下降。四种运动在混合机内产生对流、剪切、扩散、从而达到快速均匀混合的目的。

The material is made to conduct a compound motion in the cone because of the rotation and revolution of the screws. The effected motions include:

1. The revolution of the screw along the wall making the material conduct a circumferential motion;
2. The rotation of the screw making the material rise along the screw from the cone bottom;
3. The compound motion of the rotation and revolution of the screws making partial, material be absorbed into the screw cylindroid meanwhile, under the action of centrifugal force, the partial material in the screw cylindroid discharges radially.
4. The risen material drops under its sole weight. The four kinds of Motions effect convection, shearing, diffusion in the cone, thus quick and even mixing can be Achieved.

### 应用 Application

应用于化工、医药、农药、染料、石油、冶金、建材等粉体与粉体(固-固), 粉体与液体(固-液), 液体与液体(液-液)混合、反应、干燥、冷却。

It is suitable for chemical industry, pharmaceutical industry pesticide, dyestuff, petroleum industry, metallurgical industry, construction material and etc. Such as in the mixing, reaction, drying, cooling of powder and powder(solid-solid), powder and liquid (solid-liquid), liquid and liquid (liquid-liquid).

### 技术参数 Technical parameters

型号 type	全容积 Total volume (m <sup>3</sup> )	装载系数 Load factor	装机功率 Equipped power Kw	操作条件 Operating conditions	外形尺寸 Overall dimension(mm)	重量 Weight (kg)
DSH-0.1	0.1	≤0.6	1.5	常温常压粉尘密封	1569 φ702	250
DSH-0.3	0.3	≤0.6	2.2	常温常压粉尘密封	1929 φ920	550
DSH-0.5	0.5	≤0.6	3	常温常压粉尘密封	2322 φ1124	660
DSH-1.0	1.0	≤0.6	4	常温常压粉尘密封	2869 φ1480	1200
DSH-1.5	1.5	≤0.6	5.5	常温常压粉尘密封	3140 φ1633	1350
DSH-2.0	2.0	≤0.6	5.5	常温常压粉尘密封	3489 φ1816	1500
DSH-3.0	3.0	≤0.6	7.5	常温常压粉尘密封	3747 φ2210	2300
DSH-4.0	4.0	≤0.6	11	常温常压粉尘密封	4362 φ2280	2520
DSH-5.0	5.0	≤0.6	15	常温常压粉尘密封	4576 φ2402	3000
DSH-6.0	6.0	≤0.6	15	常温常压粉尘密封	4900 φ2582	3150
DSH-8.0	8.0	≤0.6	18.5	常温常压粉尘密封	5405 φ2805	4500
DSH-10	10	≤0.6	22	常温常压粉尘密封	5795 φ3018	5500
DSH-15	15	≤0.6	30	常温常压粉尘密封	6475 φ3450	6600
DSH-20	20	≤0.6	37	常温常压粉尘密封	7535 φ3805	7000
DSH-25	25	≤0.6	37	常温常压粉尘密封	7995 φ4078	8500
DSH-30	30	≤0.6	52.5	常温常压粉尘密封	8385 φ4330	9200

## SZH Series Double Conical Mixer SZH 系列双锥混合机



### 应用

本机适用于医药、化工、食品、建材等行业的粉状、粒状物料的混合。

### 特点

- 本机将粉末或粒状物料通过真空输送或人工加料到双锥容器中, 随着容量的不断旋转, 物料在容器中进行复杂的撞击运动, 达到均匀的混合。
- 本机节约能源、操作方便、劳动强度低、工作效率高。

### 技术参数 Technical parameters

型号 Model	全容积 Total volume (m <sup>3</sup> )	生产能力 Productive capacity (kg/批)	混合时间 Mixing time (min)	筒体转速 Revolution of cylinder (rpm)	功率 Power (kw)	外形尺寸 Overall dimension(mm)	回转总高度 Rotation height (mm)	重量 Weight (kg)
180	0.18	90	4-8	12	1.1	1400 × 800 × 1850	1850	280
300	0.3	150	6-10	12	1.1	1685 × 800 × 1850	1850	310
500	0.5	250	6-10	12	2.2	1910 × 800 × 1940	1950	550
1000	1.0	500	6-10	12	3	2765 × 1500 × 2370	2460	810
1500	1.5	750	6-10	10	4	2960 × 1500 × 2480	2540	980
2000	2.0	1000	6-10	7-10	5.5	3160 × 1900 × 3500	3590	1500
2500	2.5	1250	6-10	7-8	7.5	3386 × 1900 × 3560	3650	2150
3000	3.0	1500	6-10	7-8	7.5	4450 × 2200 × 3600	3700	2500
4000	4.0	2000	6-10	7-8	11	4750 × 2500 × 3680	3730	3200

### Application

It is suitable for mixing the powder and grain state materials in the pharmacy, chemical food, building material and other industries.

### Features

- Through the vacuum conveyor for the machine, send the powder or grain state materials into the double-taper container, or send the materials into the container manually.
- As the container rotates continuously, the materials moves complexly in the container so as to get the uniform mixing.

## VHJ Series Mixers

### VHJ 系列混合机

#### 概述 Description

本机适用于制药、化工、食品等行业两种以上干粉状、颗粒状物料的混和。

该机混和筒结构独特, 混和效率高、无死角, 采用不锈钢材料制作, 内外壁抛光处理, 外形美观, 混和均匀, 适用面较宽, 并能根据用户的要求配套强制制搅拌器, 以适合较细的粉粒、块状、含有一定水份的物料混合之用。

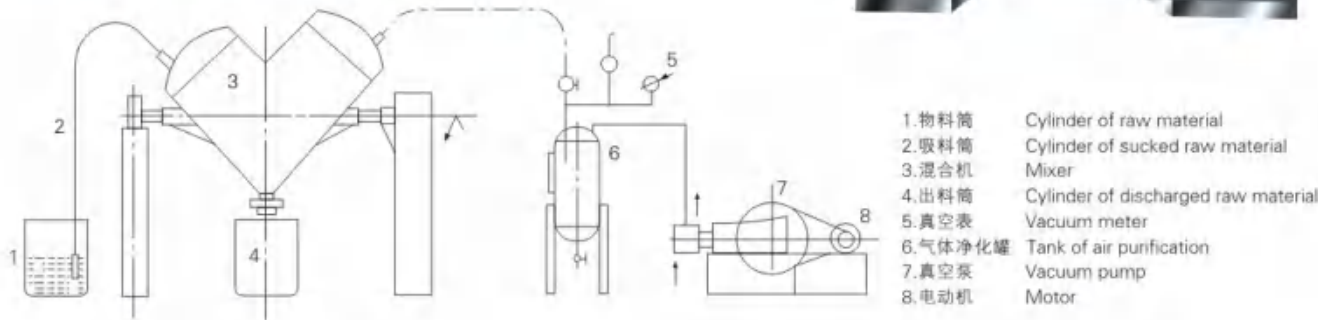
This machine is suitable for mixing two or more dry and powder or granule raw materials from pharmaceutical industry, chemical industry, foodstuff industry and so on.

The structure of this machine is unique. Its mixing efficiency is high and no dead corner. It is made of stainless steel. Its inner and outer wall is processed through polishing. Its appearance is beauty.

Its mixing is uniform. Its scope of application is wide. The forced stirrer can also be equipped in order to meet the requirements of raw materials that contain fine powder, cake and certain moisture as request.



#### 结构示意图 Schematic of structure



#### 技术参数 Technical parameters

型号规格 Model and specification	VHJ-0.18	VHJ-0.3	VHJ-0.5	VHJ-1.0	VHJ-1.5	VHJ-2.0	VHJ-2.5	VHJ-3.0	VHJ-4.0	VHJ-5.0	VHJ-6
生产能力 Productive capacity (kg/time)	90	150	250	500	750	1000	1250	1500	2000	2500	3000
配用真空泵型号 Model of vacuum pump	W2	W2	W2 或SK-1.5	W3 或SK-3	W3 或SK-3	W3 或SK-3	W3 或SK-6	W4 或SK-6	W4 或SK-9	W4 或SK-9	W4 或SK-12
进料时间 Time of raw material fed in (min)	3-5	3-5	4-6	6-9	6-10	8-13	8-15	8-12	10-15	15-20	18-25
混合时间 Mixing time (min)	4-8	6-10	6-10	6-10	6-10	6-10	6-10	8-12	8-12	8-12	8-12
全容积 Total volume (m <sup>3</sup> )	0.18	0.3	0.5	1.0	1.5	2.0	2.5	3.0	4.0	5.0	6.0
搅拌速度 Stirring speed (r/min)	12	12	12	12	12	12	12	10	10	10	10
电机功率 Power of motor (kw)	1.1	1.1	2.2	4	4	5	7.5	7.5	11	15	18.5
回转高度 Rotating height (mm)	1580	1760	2400	2840	3010	3240	3680	3700	4350	4800	5300
重量 Weight (kg)	280	320	550	950	1020	1600	2040	2300	2800	3250	3850

## CH Series Slot Shape Mixer

### CH 系列槽型混合机

#### 概述 Description

用于混合粉状或湿性物料, 使不同比例主辅料混合均匀。本机与物料接触处均采用不锈钢制造, 浆叶与桶身间隙小, 混合无死角, 搅拌轴两端设有密封装置, 能防止物料外泻, 料斗采用按钮点动控制, 出料方便。广泛适用于制药、化工、食品等行业。

CH series slot shaped mixer is widely used for mixing powder or wet materials, and can make the materials in different proportions mixed uniformly. The parts of the machine which contact with materials are made of stainless steel. The gap between blades and the inner wall of the cylinder is very small, so there's no 'dead corner' in mixing. Seal devices are fixed on both ends of the stirring shaft to prevent the materials from rushing out. Feed hopper is controlled through buttons. So it's very convenient to feed or discharge materials. This type of mixer is widely used in pharmaceutical, chemical, foodstuff industry and so on.



#### 技术参数 Technical parameters

型号 Model	容量 Volume (L)	电机功率 motor power (kw)	外形尺寸 Overall dimension (mm)	搅拌转速 stirring speed (rpm)	倒料角度 inclined angle (°)	重量 weight (kg)
100	100	2.2	1400 × 580 × 1000	24	105	400
150	150	3	1600 × 600 × 1050	24	105	500
200	200	4	1870 × 650 × 1065	24	105	650
500	500	5.5	2000 × 1240 × 720	20	105	650

## ZGH Series Of Vertical Speed, High Efficiency Mixer

### ZGH系列立式高速高效混合机

#### 概述 Description

立式高速高效混合机是专为粉体料混合而研制的高速高效混合机设备, 解决了食品、制药等行业各种粉体原料加水混合成湿料不均匀的工艺问题。广泛应用于鸡精及其它调味品、制药、化工原料粉体或颗粒状物料的混合搅拌。

Vertical high-speed mixer is designed for highly efficient mixture of powder materials and efficient high-speed mixer devices developed to solve the food, pharmaceutical and other industries all kinds of powder mixed into the raw water wet material uneven process issues. Widely used in chicken and other spices, pharmaceuticals, chemical raw materials powder or granular material mixing.



#### 特点

- 混合均匀, 根本找不到小团及小块;
- 混合时间短, 每次混合只需3-4分钟;
- 加料、放料非常方便, 清洗简单;
- 该设备的密封结构经过精心设计, 密封性能可靠, 维修拆装方便, 全部齿轮经过热处理, 使用寿命长。

- Mixed, small groups and could not find small pieces;
- Short mixing time, mixing just 3-4 minutes each;
- Feeding, discharge is very convenient, clean simple;
- Seal structure of the device is designed and reliable sealing performance, maintenance, easy accessibility, all the gear after heat treatment, long service life.

#### 技术参数 Technical parameters

型号	工作容量	搅拌重量 (KG/次)	装机功率TW (3台电机)	外型尺寸 (MRO)
ZGH-350	350	150	7.87	1500 × 1090 × 1200
ZGH-500	400	200	8.07	1500 × 1090 × 1300
ZGH-850	850	400	10.87	1718 × 1320 × 1400

## WZ Series Zero-gravity Double-axle Paddle Type Mixer WZ 系列无重力双轴桨叶混合机



### 概述 Description

本系列混合机以强烈、高效混合为特点, 卧式筒体内两根搅拌轴等速反向旋转, 轴上特殊布置的桨叶确保物料径向, 环向, 轴向三向运动, 形成复合循环, 在极短的时间内达到均匀混合。

This series machine takes a strong and high effective mixing as its features. The two mixing axes rotate reversely at an identical revolution in the horizontal drum body. The paddles specially distributed on the axle ensure that the material move radically, circulatingly, and axially, so as to form a compound motion, and in an extremely short time, the material is mixed evenly.

### 特点 Features

- 混合精度高、速度快、能耗低、可密封操作。
- 气动、电动、手动出料方式。
- 筒盖上可布置雾化装置以实现固液混合。
- The equipment can run in an enclosure, with high precision, high speed, low energy consumption.
- Pneumatically, electrical and manual discharging method.
- The atomizing device can be distributed on the cylinder cover to realize the Solid-liquid mixing.

### 应用 Application

化学药品、洗涤剂、涂料、树脂、玻璃硅、颜料、农药、化肥、饲料、饲料添加剂、小麦粉、奶粉、香料、微量成份、咖啡、味精、食盐、添加剂、塑料及各种浆料、粉料的干燥与混合。

It is suitable for the drying and mixing of the following materials: chemicals, detergent, fertilizer, feedstuff, feedstuff additive, wheat flour, milk powder, perfume, micro ingredient, coffee, gourmet powder, salt, plastic and all kinds of pulp, powder material.



### 技术参数 Technical parameters

型号规格 Model & Specs(m³)	WZ-0.05	WZ-0.1	WZ-0.3	WZ-0.5	WZ-1	WZ-2	WZ-3	WZ-4	WZ-6
一次混合 Mixed amount/batch(kg)	24~30	40~60	120~180	200~300	400~600	800~1200	1200~1800	1600~2400	2400~3600
装机功率 Equipped power(kw)	2.2	3	4~5.5	5.5~7.5	7.5~11	11~15	18.5~22	22~30	30~37
设备重量 Dead Weight(kg)	250	360	750	880	2100	2740	3800	5100	6200

上述产品按客户要求由A, 钢或不锈钢制造。  
The above-mentioned products can be made in A, steel or stainless steel acc. To customer's requirements.

## LDH Series Coulter Type Mixing Machine LDH 系列犁刀式混合机

### 概述 Description

该机型由传动机构、卧式筒体、犁刀、飞刀四部分组成; 物料在犁刀作用下沿筒壁作轴向流动, 当物料流经飞刀时被高速旋转的飞刀抛洒, 从而在较短时间内达到均匀混合。

This machine is composed of transmission apparatus, horizontal cylinder, coulter flying cutter; under the action of coulter, the material conducts a turbulent flow circumferentially along the cylinder wall, and the materials is thrown and sprinkled by the rotating flying-cutter at a high speed when it flows through the flying cutter, thus the material is mixed evenly in a shorter time.

### 特点 Features

- 混合时间短、对粒度、密度差异大的物料混合有较好的适应性。
- 结构特点特别适合加液混合和造湿粒, 粒径在0.3-3mm之间。
- The mixing time is short. It has a better adaptability to the mixing of the materials, which has large differences in size and specific gravity.
- Its construction feature is that it is especially suitable for liquid-adding mixing or granulating wet particle, the size is between 0.3-3mm.

### 应用 Application

应用于化工、医药、兽药、食品、饲料、饲料添加剂、塑料等行业固-固(粉体与粉体), 固-液(粉体中添加少量液体)的混合以及造湿粒、干燥等复合工艺; 尤其适用于粘性或胶状添加剂的混合。

It is suitable for the mixing of solid-solid (powder and powder), solid-liquid (adding a small amount of liquid into the powder) and some compound technology. Process such as granulating wet particle and drying, especially it is suitable for the mixing of viscous material or glue-like additive.

### 技术参数 Technical parameters

型号规格 Model & Specs(m³)	LDH-0.1	LDH-0.3	LDH-0.5	LDH-1	LDH-2	LDH-4	LDH-6	LDH-8	LDH-10	LDH-12	LDH-15
一次混合 Mixed amount/batch(kg)	40~60	120~180	200~300	400~600	800~1200	1600~2400	2400~3600	3200~4800	4000~6000	4800~7200	6000~9000
装机功率 Equipped power(kw)	6	8.4	9.9	23	30.5	38	38	46	53	65	82.5
设备重量 Dead Weight(kg)	430	950	1100	1800	2520	3220	6750	7200	7500	8500	9200

上述产品按客户要求由A, 钢或不锈钢制造。  
The above-mentioned products can be made in A, steel or stainless steel acc. To customer's requirements.



## WLDH Series Horizontal Ribbon Mixer WLDH 系列卧式螺带混合机

### 概述 Description

该机型由容器、螺旋搅拌叶片和传动部件组成;螺旋叶片一般做成双层或三层,外层螺旋将物料从两侧向中央汇集,内层螺旋将物料从中央向两侧输送,形成对流混合。容积可做成圆形,以便夹套用于反应、干燥。

This machine is composed of container, screw stirring paddles and transitional parts; the screw paddle are generally made into 1 layer or 3 layers, the outer screw converge is the material to the centre front two sides, and the inner layer of screw conveys the material to the two sides from the centre, so as to form convection mixing. The cubage can be made into rotundity, so the jacket can be played in reaction and drying.



### 特点 Features

装载系数大、设备占地面积小。

Big coefficient of loading, small occupied area.

### 应用 Application

螺带混合机一般用于粘性或有凝聚性的粉粒体的混合以及粉粒体中添加液体及糊状物料的混合,同时由于粘性物料清洗困难的特点,适用于产量大、不经常更换品种的场所混合。

The ribbon mixer is generally used in the mixing of viscous or adhesive powder material, or the mixing of powder which needs to add liquid, and paste material. Meanwhile, because it is difficult to clean viscous material, the machine is suitable for the mixing case, where the output is large and there is no need of displacing material variety frequently.



### 技术参数 Technical parameters

型号规格 Model & Specs m <sup>3</sup>	WLDH-0.1	WLDH-0.3	WLDH-0.5	WLDH-1	WLDH-1.5	WLDH-2	WLDH-3	WLDH-4	WLDH-6	WLDH-8	WLDH-10
一次混合 Mixed a mount/batch Kg	30-50	100-150	200-300	400-600	600-900	800-1200	1200-1800	1600-2400	2400-3600	3200-4800	4000-6000
装机功率 Equipped power Kw	1.5-4	3-5.5	4-11	7.5-15	11-18.5	15-22	18.5-30	22-37	37-55	37-55	45-75
设备重量 Dead Weight Kg	420	850	1060	1790	1900	2750	3500	4280	5300	6800	7800

上述产品按客户要求由A,钢或不锈钢制造。  
The above-mentioned products can be made in A, steel or stainless steel acc. To customer's requirements.

## GFS High Speed Grinder GFS高效粉碎机

### 概述 Description

本机采用混合喷粉法原理设计研制而成,适用制药、食品、化工等行业,用途极为广泛。

本机具有移动方便,运转平衡、噪音低、粉碎效果好和电耗低的优点。

This machine adapts the principle of mixing and spraying powder to design and manufacture. It has wide application and wide used for pharmaceutical industry, foodstuff industry, chemical industry and so on. This machine has many advantages such as movement of machine is very convenient and its operation is smooth and its noise low and its crushed effect is good and consumption is low.



### 技术参数 Technical parameters

机型 Model	8	16	28
电机功率 Power of motor (kw)	3	7.5	11
生产能力 Productive capacity (kg/h)	10-100	50-300	100-500
转速 Revolution (rpm)	4000	4000	4000
成品细度(含量≥85%) Degree of fineness(content≥85%)	12-120mesh	12-120mesh	12-120mesh
外形尺寸(A型) Overall dimensions (L×W×H), Model A (mm)	800×550×1250	900×660×1350	1000×750×1665
重量 Weight(kg)	150	250	350

## CSJ Series Date And Efficient Coarse Grinder CSJ 最新高效粗粉碎机

### 应用 Application

本机适用于制药、化工、冶金、食品、建筑等行业。对坚硬难粉碎的物料进行加工,包括对塑料、铜丝、中草药、橡胶等进行粉碎,也能作为微粉碎机、超微粉碎机加工前道工序的配套设备。

This machine is suitable for many industries such as pharmaceutical industry, chemical industry, metallurgy industry, foodstuff industry, architecture industry and so on to crush hard raw materials including plastics, steel wire, Chinese herbal medicine, rubber and so on. It can also be as complete equipment of micro fine grinder and super fine grinder as the first procedure.

### 特点 Features

该机是采用立式粉碎机构,不受物料粘度、硬度、软度等的限制,对任何物料都能起到粉碎作用。

This machine adapts vertical crushing mechanism. It can not be limited by viscosity, hardness and softness of raw materials. It has good crushing effect to all kinds of raw materials.

### 技术参数 Technical parameters

型号 type	进料粒度 (mm) inlet material diameter	出料颗粒 (mm) output diameter	产量 (kg/h) output	功率 (kw) power	主轴转速 (rpm) speed of shaft	外型尺寸 (mm) overall dimension
CSJ-250	≤100	2-30	50-300	4	560	860x650x1020
CSJ-500	≤100	2-30	80-800	11	560	1120x1060x1050

注:因物料差异及要求日数不同,表中产量仅供参考。  
Note: The requirements for material differences and the number of different projects, production of the table is for reference only.

